



Fischer Connectors SA
 Saint-Prex, Switzerland
 Phone +41 21 800 95 95
 Fax +41 21 800 39 24
 www.fischerconnectors.com
 mail@fischerconnectors.ch

Serie 1051 A004-HD Pro+ Triaxial connectors

Technical Specification

REQUIREMENT	DETAIL		
Material and Surface Treatments			
Materials	Housings: Housing accessories: Inner contact: Crimp and Ground contacts: Insulators: Washers: O-ring seals: Cable seal and protections:		Brass, Steel, PA Brass Bronze Brass POM, PP-H, PEI PEEK, PET NBR, NBR Low Temp TPE
Finish	Housings and accessories, Ground contact: Center contacts:		Nickel Gold over Nickel
Electrical	Typical values		Norm
Nominal Impedance	75 ohms		
Test Voltage @ Sea Level (mated)	1.7 kVAC	Center to Outer Contact	IEC60512-2, Test 4a, Method c
	1.0 kVAC	Outer to Ground Contact	
Current Rating per Contact	14 A		IEC60512-3, Test 5b
Contact Resistance	< 3 milliohms	Center Contact	IEC60512-2, Test 2
	< 0.5 milliohms	Outer Contact	
	< 5 milliohms	Ground Contact	
Insulation Resistance	> 10 ¹⁰ ohms		IEC60512-2, Test 3a, Method c
VSWR (Voltage Standing Wave Ratio)	< 1.05	0 to 250 MHz	
	< 1.2	250 to 1300 MHz	
Mechanical	Typical values		Norm
Connector Durability	10000 mating cycles		
Mating and Unmating Force	50 N		IEC60512-7, Test 13a
Retention Force of Locking Mechanism	> 1500 N		IEC60512-7, Test 13a
Cable Retention Force ¹⁾ : Force applied for 1 minute	> 500 N	for Ø11.9 mm cable	IEC 60512-9, Test 17c
	Force applied for 1 hour:	> 150 N	
			MIL-STD-1344, Method 2009, Test cond. A
Note 1: Dependent on the type of cable.			

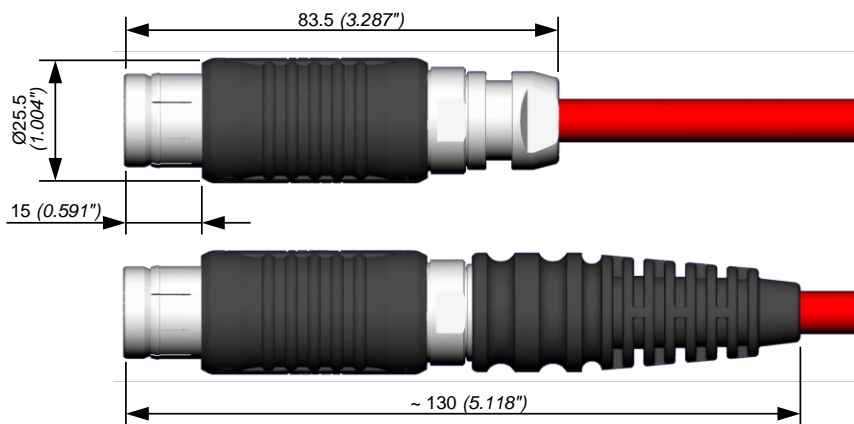
© Fischer Connectors SA / All rights reserved
 This document is the property of Fischer Connectors SA.

All communications to third parties or the reproduction in any form, even partial, are prohibited without our written consent .

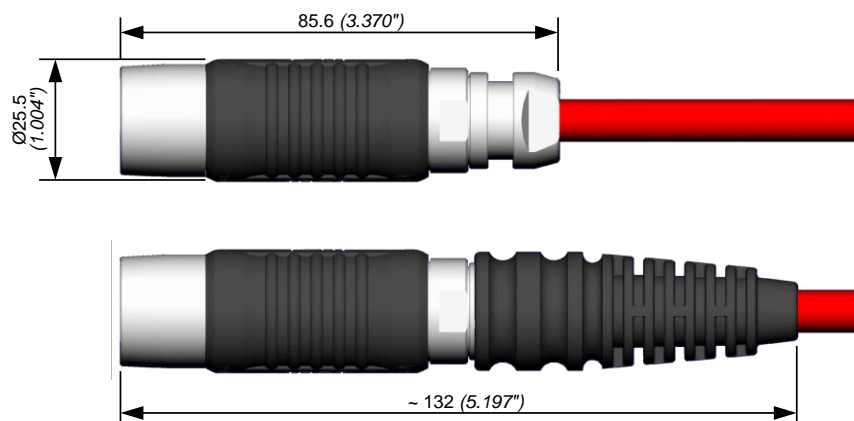
REQUIREMENT (cont.)	DETAIL	
Environmental	Typical values	Norm
Temperature Rating	-40 to +85°C	
Vibration	10 to 2000 Hz, 1.5 mm or 20 g, no discontinuity > 1 µs	MIL-STD-1344, Method 2005, Test cond. IV
Mechanical Strength Impact	Height of 2 m; 10 dropping cycles	IEC 60512-5, Method 7b
Protection Level (mated)	IP68 / 2 m / 24 h	IEC 60529
Corrosion, salt spray	96 h with 5% salt solutions at 35°C	MIL-STD-1344, Method 1001, Test cond. B

DIMENSIONS

Straight plug SE 1051 A004-HD Pro+



Cable receptacle KE 1051 A004-HD Pro+



All dimensions shown are in millimeters (*inches*) and are for reference only.

For more information, please log on to www.fischerconnectors.com